



Engineered Process Systems

HEAT EXCHANGERS THE RIGHT CHOICE

With the large range of exchanger types on the market these days, selecting the right type for your purposes is not always easy. Sometimes the cheapest option will cost you more in the long run, or you may over-capitalise in order to compensate for situations that may never happen.

EPS are here to help. Our experienced staff can advise you of the best options for your application.

From our partners, or our own design resources, we can supply the right exchanger for your application.

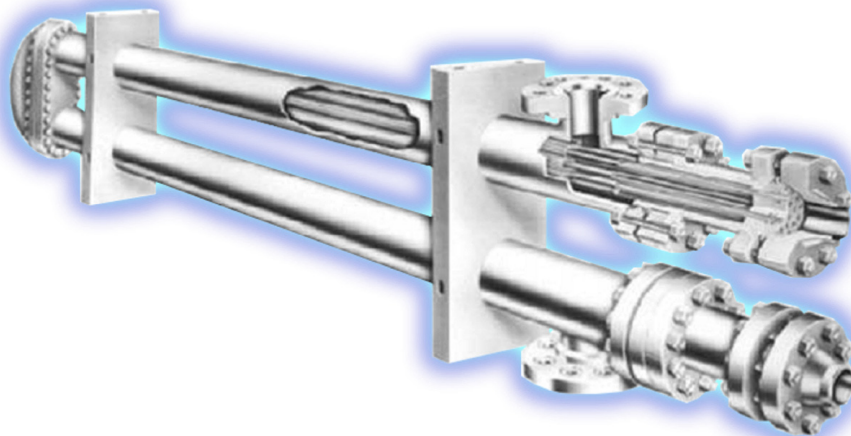
We can even provide the best advice on installation and control, and even package this up as part of the deal.

Our extensive range includes:

- Shell & Tube
- Plate
- Double Pipe & Hairpin
- Air-cooled



Talk to **EPS** about your next heat transfer requirement for a solution you know you can rely on.



Engineered Process Systems Pty Ltd

B2/118 Railway Street West Perth WA 6005 AUSTRALIA Ph: +61 8 9481 0622 Fax: +61 8 9481 5733
www.engprosys.com.au info@engprosys.com.au